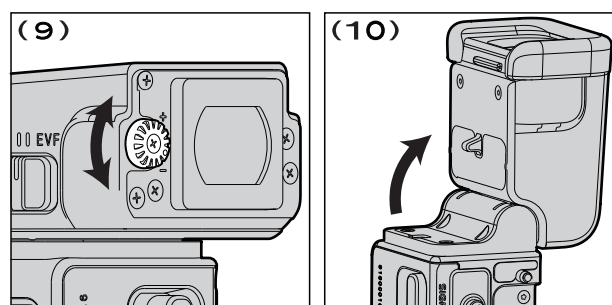
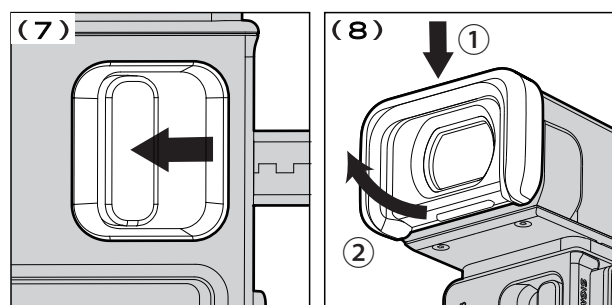
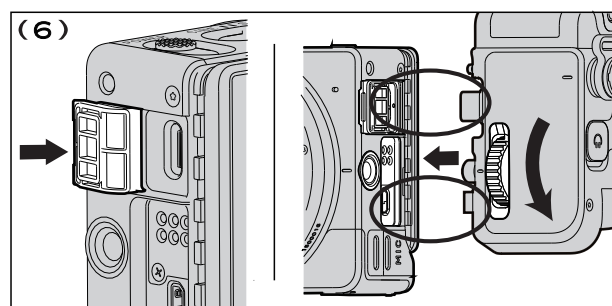
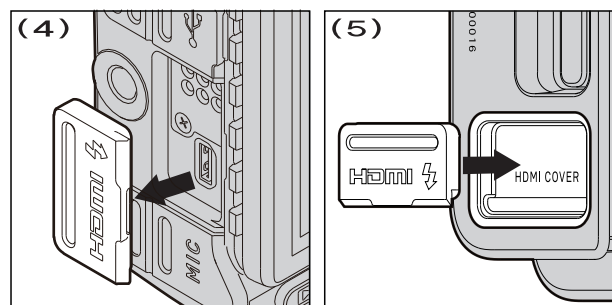
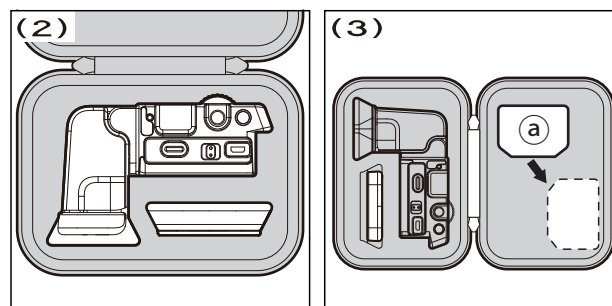
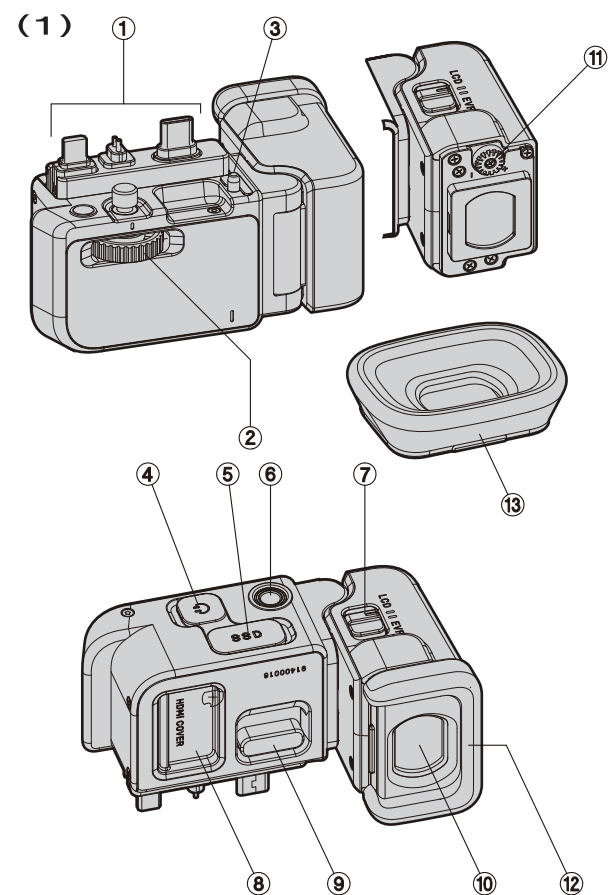


## ELECTRONIC VIEWFINDER EVF-11

## INSTRUCTIONS

## SIGMA CORPORATION

2-4-16 Kurigi, Asao-ku, Kawasaki-shi, Kanagawa 215-8530 Japan  
Phone : 044-989-7430 Fax : 044-989-7451



## ENGLISH

Thank you for purchasing an electronic viewfinder EVF-11. For details on the settings, please refer to the instruction manual of your camera. Please read this manual and the appropriate sections in the instruction manual of your camera before using this product.

## SAFETY INSTRUCTIONS

- Do not modify or disassemble the product. Doing so may lead to a fire or electric shock.
- Do not handle the product with wet hands. This can cause an electric shock.
- Lower the volume when connecting a headphone. Otherwise, loud sounds may damage your ears.
- Looking through the viewfinder for a long period of time may cause eye strain or symptoms similar to those of motion sickness. It is recommended that you take frequent breaks.

## CAUTION

- Do not expose the viewfinder eyepiece to direct sunlight; as this may damage the internal display.
- If the viewfinder is used for a long period of time and its temperature rises, the brightness of the viewfinder may stop functioning.
- The portable SSD connector has a USB Type-C jack. It should not be used for any purposes other than connecting to an external storage. When charging the battery, remove the viewfinder and use a USB connector on your camera. Also, when connecting or disconnecting the cable, hold the plug and insert or remove it straight.
- The viewfinder is not dust-proof or splash-proof. Do not allow the product to become wet when using it in rain or near water.
- Rapid changes in temperature may cause condensation to form inside the viewfinder. Condensation may cause the product to malfunction.
- Do not use the strap holder eyelet to mount your camera on a tripod. This may damage the viewfinder.
- The connection terminals are sensitive components. Exercise care to prevent them from being bumped or subjected to shocks.
- If the finder is left attached to the camera for a long period of time, the USB connector cover on your camera may become deformed.

## SUPPORTED CAMERAS

The viewfinder supports the following cameras.

fp L, fp (it is necessary to update the camera's firmware)

Please check our website for the latest information about cameras that support the viewfinder.

## NAMES OF PARTS (Fig.1)

- |                          |   |
|--------------------------|---|
| ① Connection terminals   | ⑧ Recess for storing the HDMI connector cover |
| ② Retaining ring         | ⑨ Mount assist lever                          |
| ③ Locating pin           | ⑩ Eyepiece                                    |
| ④ Headphone jack         | ⑪ Diopter correction dial                     |
| ⑤ Portable SSD connector | ⑫ Standard eyecup EC-31                       |
| ⑥ Strap holder eyelet    | ⑬ Large eyecup EC-41                          |
| ⑦ Monitor selector       |   |

## EYECUPS

EVF-11 comes with a standard eyecup (⑫ in Fig.1) and a large eyecup that blocks external light (⑬ in Fig.1). Use either eyecup according to your preference.

## PLACING ITEMS INTO CASE

When the product is shipped, the standard eyecup is attached to the viewfinder and the large eyecup is placed in a recess for storing the eyecup (Fig.2). To attach the large eyecup to the viewfinder and place the standard one in the recess for storing the eyecup, move the cushion ㉑ to the position shown in Fig.3.

## MOUNTING THE VIEWFINDER TO YOUR CAMERA

1. Turn the camera power off and remove the HDMI connector cover (Fig.4). Place the removed HDMI connector cover in its compartment to prevent it from being lost (Fig.5).
2. Open a USB connector cover on your camera. Hold the USB connector cover with your finger and insert the connection terminals straight into the two terminal sockets. Rotate the retaining ring in the direction of the arrow to secure the viewfinder (Fig.6).

- If you feel that the retaining ring does not go in straight, do not use force when rotating it. Repeat the process.
- If the connection terminals do not easily fit into place, fit them while holding the mount assist lever down in the direction of the arrow (Fig.7).
- To remove the viewfinder, turn the camera power off, rotate the retaining ring in the direction of the arrow, then pull the viewfinder straight out.

## SWITCHING MONITORS

To display the viewfinder, set the monitor selector to [EVF]. To display the LCD monitor of your camera, set the monitor selector to [LCD].

## DIOPTRER ADJUSTMENT

1. Put your index finger on the protruding part and remove the eyecup. If it is difficult to remove it, remove it by holding down the top of the eyecup (Fig.8).
2. While looking into the viewfinder, rotate the diopter correction dial until the image appears clearly in the viewfinder (Fig.9).
3. When you finish the adjustment, put the eyecup back in its original position.

## ANGLE ADJUSTMENT

The eyepiece can be tilted upward by as far as 90 degrees (Fig.10).

## ORGANIC EL PANEL

Due to the characteristics of an organic EL panel, there may be dots that are always visible or dots that are not visible. This is not a malfunction.

## SPECIFICATIONS

Panel	0.5-type organic EL panel, Approximately 3,680,000 dots (field of view coverage - approximately 100%)
Magnification	Approximately 0.83x (50 mm lens at infinity with -1 m <sup>-1</sup> diopter)
Eye point	Approximately 21 mm (from the end face of the eyepiece)
Diopter correction range	Approximately -4.0 to +3.0 diopter
Angle adjustment	0 to 90 degrees
Interface	USB Type-C x2: Input and output (for portable SSD)
	Video Input (Dedicated terminal)
	EVF sense (Dedicated terminal)
	Stereo mini jack (3.5 mm in diameter) Headphone output
Outside diameter	44.6 x 91.7 x 56.1 mm (1.76 x 3.61 x 2.21 in)
Weight	114 g (4.02 oz)

- For information on the warranty and after-sales service, please refer to the warranty card.

**FC** This device complies with Part 15 of the FCC Rules. Operation is subject to the following two conditions: (1) this device may not cause harmful interference, and (2) this device must accept any interference received, including interference that may cause undesired operation.

## For customers in the Canada

This Class B digital apparatus complies with Canadian ICES-003. Cet appareil numérique de la classe B est conforme à la norme NMB-003 du Canada.

**Disposal of Electric and Electronic Equipment in Private Households**  
Disposal of used Electrical & Electronic Equipment (Applicable in the European Union and other European countries with separate collection systems)

This symbol indicates that this product shall not be treated as household waste. Instead it shall be collected separately for the recycling of electrical and electronic equipment. If the new products are purchased, this product might be handed over to the distributor or the collection system of waste electrical and electronic equipment eventually. By ensuring this product is disposed of correctly, you will help prevent potential negative consequences for the environment and human health, which could otherwise be caused by inappropriate waste handling of this product or components of this product. If this product is disposed illegally, it might cause a possibility of penalties. For more detailed information about recycling of this product, please contact your local city office, your household waste disposal service or the shop where you have purchased the product.

**CE** The CE Mark is a Directive conformity mark of the European Community (EC).

## SIGMA (Deutschland) GmbH

Carl Zeiss Str. 10/2, D 63322 Roedermark, Germany  
Sales:06074/865 160 Service:06074/865 1665 Support:06074/865 1688  
E-Mail: info@sigma-foto.de